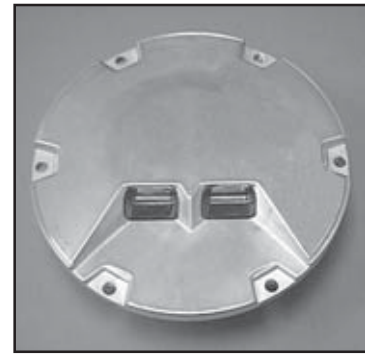


# SIEMENS

## L-850F Style 3 F-Range Series Land and Hold Short Light



### Compliance with Standards

**FAA:** L-850F AC 150/5345-46 (Current Edition)  
ETL Certified

### Uses

Used in lieu of an L-850A when redundant lamp option is desired during Land and Hold Short Operations (LAHSO) per AC 150/5345-54. Used with L-884 LAHSO power and control unit to provide automatic lamp change over and flashing signal.

### Features

- Designed and built with simplicity and ease of maintenance in mind
- Light channel in front of prism windows protects prisms from damage and prevents rubber buildup thereby maintaining optimal light output
- Low-energy/long-life halogen lamps are 48W with a rated life of 1,500 hours at 6.6A
- Low-temperature lights. Temperature rise at center of top cover remains below the FAA-specified limit of 320°F (160°C).
- Fixture uses aluminum alloy cover and inner cover, stainless steel hardware, and aluminum alloy and stainless steel optical assembly

### Spare Components

Description	Part No.
Cable clamp	4071.50.090
Cord set, L-823	73A0133-23
Cord set grommet	63A1014
Cord set terminal, female	6111.87.140
Film disc cutout	47A0118
Film disc spring	4071.50.130
Grommet, optical assembly vibration isolator	63A0222
Inner cover, two cord set application*	4071.59.040
Lamp assembly, 48W	2990.40.827
Lamp holder assembly	1411.22.001
Lamp retainer spring	4071.58.510
O-ring, inner cover seal	7080.90.335
O-ring, pressure release screw	63B0267-011
Optical support assembly (includes lamps, lamp holders and grommets)	44A4810-26
Pressure release screw	60A2602
Prism	63A0993-2
Prism clamp	4071.50.360
Prism gasket sleeve	4071.50.030
Prism keeper plate	4071.50.052
Seal, prism keeper plate	63A0986
Terminal block assembly w/o film disc cutout	44A6112-1
Terminal block assembly with film disc cutout	44A6112-2
Top cover	62A2135

\*Does not include cord sets

### Ordering Code

44A5950-0XXX

### Film Disc Cutout

- 1 = Included  
2 = Not Included<sup>1</sup>

### Base Mounting

- 1 = Two L-823 cord sets for standard base  
2 = Leads with no plug, shallow base included

### Lamp

- 1 = Two 48W, 6.6A

### Notes

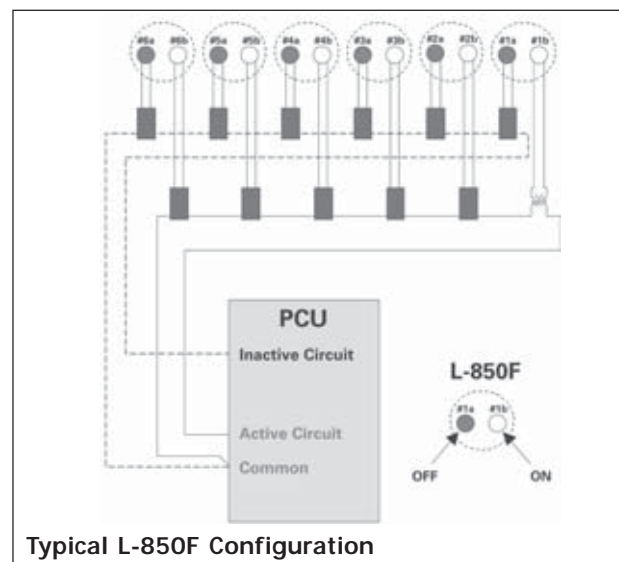
- If redundancy is not required for LAHSO lights, use SAS L-850A instead. See SAS catalog sheet 2001.
- <sup>1</sup> When used with a Siemens Airfield Solutions L-884 PCU, film disc cutout is not used.

### Packaging

In cardboard box: 7 x 13 x 13 in  
(17.8 x 33 x 33 cm)

Weight with packing: 15.3 lb (6.94 kg)

Weight without packing: 12.3 lb (5.58 kg)



The information contained in this document is subject to change without notice. Siemens reserves the right to make changes and improvements to its products and assumes no responsibility for making these modifications on any equipment previously sold.