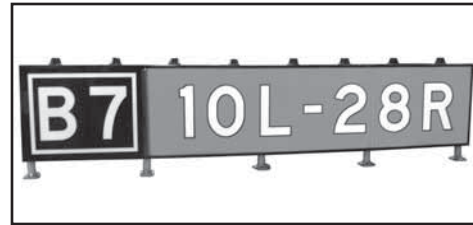


SIEMENS

Signature Series™

L-858Y, L-858R, L-858L, & L-858B

Internally Illuminated Sign



Compliance with Standards

FAA: L-858Y, L-858R, L-858L, and L-858B
AC 150/5345-44 (Current Edition) ETL Certified

Uses

L-858Y—Direction, Destination, and Boundary (Informational Sign)

L-858R—Mandatory Sign

L-858L—Runway/Taxiway Location Sign

These signs are designed to guide pilots to a particular point on the field, identify holding positions, identify taxiway and runway intersections, and prohibit aircraft entry into designated areas.

L-858B—Runway Distance Remaining Sign

The L-858B is used at 1,000-foot intervals adjacent to the runway edge in order to provide runway distance remaining information to pilots during takeoff and landing operations.

Sign Legends

Type	Purpose	Legend Color	Background Color
L-858Y	Direction, Destination & Boundary	Black	Yellow
L-858R	Mandatory Sign	White with Black Outline	Red
L-858L	Runway/Taxiway Location	Yellow	Black
L-858B	Runway Distance Remaining	White	Black

Ordering Code Notes

- Customer to provide legend information and power connection side. It is important to match power cord exit location with legend side.
- Use high wind signs in those locations where actual wind speed exceeds FAA specifications. High wind signs tested to a minimum wind load of 327 mph as recommended by FAA technical paper DOT/FAA/AR-TN00/32: Evaluation of Wind-Loading on Airport Signs. High wind signs require four anchor bolts per floor flange.
 - Cord set coiled up inside side. Customer provides entry hole.
 - Backup lamps and lamps out features are not available.

Ordering Code	SXXX-XXXXXXXX
Lamp Type	
H = Halogen	
W = High Wind/Halogen ¹	
F = Fluorescent	
N = High Wind/Fluorescent ¹	
Sign Size	
1 = Size 1 (1 lamp per module)	
2 = Size 2 (2 lamps per module)	
3 = Size 3 (2 lamps per module)	
4 = Size 4 (4 lamps only)	
5 = Size 5 (2 lamps only)	
Module	
1 = 1 Module	
2 = 2 Module	
3 = 3 Module	
4 = 4 Module	
Style	
1 = Low VA Halogen Style 2 & 3 (3- & 5-Step)	
2 = Low VA Halogen Style 5 (5.5A) ³	
3 = Fluorescent Style 2 (3-Step), Style 3 (5-Step) & Style 5 (5.5A) ³	
5 = Standard VA Halogen Style 2 (3-Step) ³	
6 = Standard VA Halogen Style 3 (5-Step) ³	
Face	
1 = Single	
2 = Double	
Total Number of Panels	
X = To be determined by SAS Sales Department based on legend and module configurations.	
Backup Lamps	
0 = 18W fluorescent without backup lamps	
1 = 48W halogen without backup lamps	
2 = 48W halogen with backup lamps	
Power	
1 = Power through leg without ON/OFF switch	
2 = Power through leg with ON/OFF switch	
3 = Power through side without ON/OFF switch	
4 = Power through side with ON/OFF switch	
5 = Customer-provided entry without ON/OFF switch ²	
6 = Customer-provided entry with ON/OFF switch ²	
Tether	
0 = No tether	
1 = One tether on one end of sign	
2 = Two tethers, one on each end	
3 = One tether per leg	
Lamps Out Indicator (Halogen Only)	
0 = Without	
1 = With	

Electrical Supply

L-858Y (informational), L-858R (mandatory), and L-858L (location) signs are available internally lighted in three sizes. The L-858B (runway distance remaining) signs are internally lighted and available in two sizes. The signs are connected to a series circuit using the appropriately-sized 50 or 60Hz L-830 isolation transformer(s).

Style No.	Power Source	Halogen Lamp Wattage	Fluorescent Lamp Wattage
2	4.8-6.6A (3-Step CCR)	48W	18W
3	2.8-6.6A (5-Step CCR)	48W	18W
5	5.5A Only	48W	18W

Sign Size No.	Quartz Halogen, 6.6A, 48W Lamps Required	Fluorescent, 6.6A 18W Lamps Required
1	1 per Module	1 per Module
2	2 per Module	2 per Module
3	2 per Module	2 per Module
4	4 only	4 only
5	2 only	2 only

Environmental Conditions

Operating Class	Temperature Range	Humidity	Wind Velocities
1	-4°F to +131°F (-20°C to +55°C)	0 to 100%	225 mph
2*	-67°F to +131°F (-55°C to +55°C)	0 to 100%	225 mph

* All signs are Class II except fluorescent signs.

Dimensions

Sign Heights

Type	Sign No.	Sign Face Height in (cm)	Legend Height in (cm)	Sign Style No.	Sign Class No.	Overall Mounting Height in (cm)
L-858Y/R/L	1	18 (45.7)	12 (30.5)	2,3,5	1,2	29.7 (75.5)
	2	24 (61)	15 (38.1)	2,3,5	1,2	35.7 (90.8)
L-858Y/R/L	3	30 (76.2)	18 (45.7)	2,3,5	1,2	41.7 (106)
	4	48 (122)	40 (101.6)	2,3,5	1,2	58.2 (147.8)
L-858B	5	30 (76.2)	25 (63.5)	2,3,5	1,2	41.7 (106)

Sign Lengths

Inches (Centimeters)

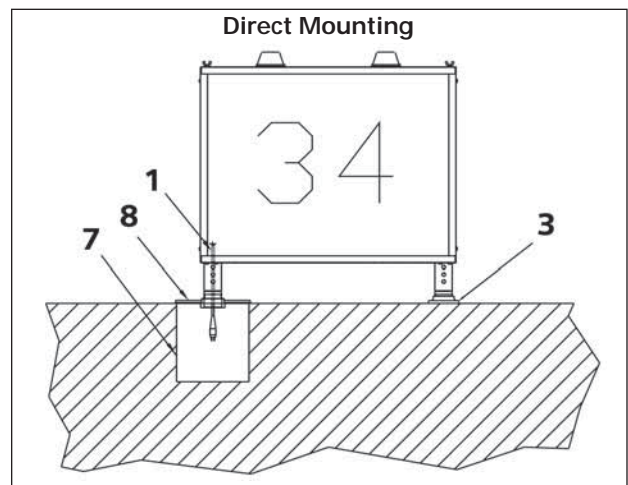
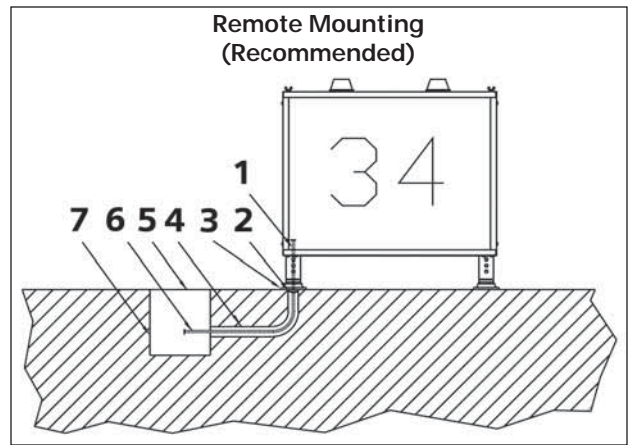
Size No.	1 Module	2 Module	3 Module	4 Module
1	29.4 (75)	58.6 (149)	87.9 (223)	117.2 (298)
2	35.9 (91)	71.6 (182)	107.4 (273)	143.2 (364)
3	42.4 (108)	84.6 (215)	126.9 (323)	169.2 (430)
4	47.9 (122)	N/A	N/A	N/A
5	42.4 (108)	N/A	N/A	N/A

Note: All signs are 9.39 in (23.85 cm) deep.

Installation

Each sign is furnished complete with mounting flanges for installation on a concrete pad, which is the recommended method of installation. Stake mounting option is available. Refer to SAS sign instruction manual for typical sign installations. Contact the SAS Sales Department for more information on sign installation hardware.

1. L-823 Cord Set
2. Cable Clamp
3. Floor Flange
4. 2-inch Conduit Elbow (contractor supplied)
5. L-867 Blank Cover Plate with Gasket
6. L-823 Extension Cord
7. L-867 Base
8. L-867 Base Plate (special)



Construction

Corrosion-resistant sign construction requires minimal maintenance.

- Aluminum housing
- Acrylic sign legend panels
- Stainless steel hardware
- Retroreflective sheeting
- Translucent plastic panel dividers used between multi-module legend panels

Sign Load & Transformer Requirements

In the table below, the number for the total VA load imposed on the CCR represents the actual load imposed on the regulator and accounts for power factor and load imposed by the L-830 transformer.

Low VA Halogen Lamps

Sign Size	No. of Modules	Transformer	No. of Lamps	Sign Power Factor	Volt Amp VA Load
-----------	----------------	-------------	--------------	-------------------	------------------

48 Watt Lamps—Style 2, 3-Step Signs

1	1	100W	1	0.98	106
1	2	200W	2	0.99	155
1	3	300W	3	0.98	202
1	4	300W	4	0.99	250
2, 3	1	200W	2	0.99	155
2, 3	2	300W	4	0.99	250
2, 3	3	500W	6	0.98	340
2, 3	4	300W (2)	8	0.97	450
4	1	300W	4	0.99	250
5	1	200W	2	0.99	155

48 Watt Lamps—Style 3, 5-Step Signs

1	1	200W	1	0.97	105
1	2	300W	2	0.98	145
1	3	500W	3	0.98	190
1	4	500W	4	0.98	233
2, 3	1	300W	2	0.98	145
2, 3	2	500W	4	0.98	233
2, 3	3	500 & 300W	6	0.98	350
2, 3	4	500W (2)	8	0.97	440
4	1	500W	4	0.98	233
5	1	300W	2	0.98	145

48 Watt Lamps—Style 5 Signs

1	1	45W	1	0.99	48
1	2	100W	2	0.99	96
1	3	200W	3	0.99	144
1	4	200W	4	0.99	192
2, 3	1	100W	2	0.99	96
2, 3	2	200W	4	0.99	192
2, 3	3	300W	6	1.00	288
2, 3	4	500W	8	0.98	384
4	1	200W	4	0.99	192
5	1	100W	2	0.99	96

Sign Load & Transformer Requirements

In the table below, the number for the total VA load imposed on the CCR represents the actual load imposed on the regulator and accounts for power factor and load imposed by the L-830 transformer.

Fluorescent Lamps

Sign Size	No. of Modules	Transformer	No. of Lamps	Sign Power Factor	Volt Amp VA Load
-----------	----------------	-------------	--------------	-------------------	------------------

18 Watt Lamps—Style 2, 3-Step Signs

1	1	200W	1	0.96	68
1	2	200W	2	0.95	88
1	3	200W	3	0.93	106
1	4	200W	4	0.93	127
2, 3	1	200W	2	0.95	88
2, 3	2	200W	4	0.93	127
2, 3	3	300W	6	0.92	172
2, 3	4	300W	8	0.93	203
4	1	200W	4	0.93	127
5	1	200W	2	0.95	88

18 Watt Lamps—Style 3, 5-Step Signs

1	1	200W	1	0.96	68
1	2	200W	2	0.95	88
1	3	200W	3	0.93	106
1	4	300W	4	0.93	127
2, 3	1	200W	2	0.95	88
2, 3	2	300W	4	0.93	127
2, 3	3	500W	6	0.92	172
2, 3	4	500W	8	0.89	199
4	1	300W	4	0.93	127
5	1	200W	2	0.95	88

18 Watt Lamps—Style 5 Signs

1	1	100W	1	0.96	57
1	2	100W	2	0.95	77
1	3	100W	3	0.93	96
1	4	200W	4	0.93	116
2, 3	1	100W	2	0.95	77
2, 3	2	200W	4	0.93	116
2, 3	3	200W	6	0.92	158
2, 3	4	300W	8	0.93	192
4	1	200W	4	0.93	116
5	1	100W	2	0.95	77

Sign Load & Transformer Requirements

In the table below, the number for the total VA load imposed on the CCR represents the actual load imposed on the regulator and accounts for power factor and load imposed by the L-830 transformer.

Standard VA Halogen Lamps

Sign Size	No. of Modules	Transformer	No. of Lamps	Sign Power Factor	Volt Amp VA Load
48 Watt Lamps—Style 2, 3-Step Signs					
1	1	30/45W	1	0.59	104
1	2	100W	2	0.46	222
1	3	100W	3	0.52	302
1	4	200W	4	0.52	319
2, 3	1	100W	2	0.46	222
2, 3	2	200W	4	0.52	319
2, 3	3	300W	6	0.48	460
2, 3	4	300W	8	0.53	570
4	1	200W	4	0.52	319
5	1	100W	2	0.46	222

48 Watt Lamps—Style 3, 5-Step Signs

1	1	100W	1	0.21	231
1	2	200W	2	0.32	316
1	3	300W	3	0.24	641
1	4	500W	4	0.31	652
2, 3	1	200W	2	0.32	316
2, 3	2	500W	4	0.21	652
2, 3	3	300W (2)	6	0.20	1150
2, 3	4	300W (2)	8	0.31	1304
4	1	500W	4	0.31	652
5	1	200W	2	0.32	316

Packaging Data

Signs are shipped with L-823 cord set(s), frangible couplings, and floor flanges—ready for installation.

Description	Gross Wt. ¹ (lb)	Gross Wt. ¹ (kg)	Dimensions of Carton (in)	Dimensions of Carton (cm)
Size 1, Module 1	55	26	34 x 34 x 13	87 x 86.4 x 33
Size 1, Module 2	95	43	34 x 63 x 13	87 x 160 x 33
Size 1, Module 3	133	60	34 x 92 x 13	87 x 234 x 33
Size 1, Module 4	169	77	34 x 121 x 13	87 x 307 x 33
Size 2, Module 1	71	32	40 x 40 x 13	102 x 102 x 33
Size 2, Module 2	121	55	40 x 76 x 13	102 x 193 x 33
Size 2, Module 3	170 ²	77 ²	40 x 112 x 13	102 x 285 x 33
Size 2, Module 4	220 ²	100 ²	40 x 147 x 13	102 x 374 x 33
Size 3, Module 1	85 ²	39 ²	46 x 46 x 13	117 x 117 x 33
Size 3, Module 2	135	62	46 x 89 x 13	117 x 226 x 33
Size 3, Module 3	203 ²	92 ²	46 x 131 x 13	117 x 333 x 33
Size 3, Module 4	236	107	46 x 173 x 13	117 x 440 x 33
Size 4, Module 1	122 ²	56 ²	62 x 52 x 13	158 x 132 x 33
Size 5, Module 1	85 ²	39 ²	46 x 46 x 13	117 x 117 x 33

¹ Weights listed are for halogen signs. Contact SAS for high wind speed sign weights.

² Estimated weight

Spare Components

Description	Part No.
Capacitor, 5-step, standard VA sign (1 and 2 lamps) ¹	20A0036
Capacitor, 5-step, standard VA sign (4, 6, or 8 lamps) ¹	20A0035
Floor flange (2-bolt)	62A2142
Floor flange, high wind speed (4-bolt)	62A2146
Fluorescent sign ballast, one-lamp ²	35A0543-1C
Fluorescent sign ballast, two-lamp ²	35A0543C
Fluorescent sign power supply	44A6631
Frangible coupling, size 1	60A2678-10
Frangible coupling, size 2	60A2678-20
Frangible coupling, size 3 or 5	60A2678-30
Frangible coupling, size 4	60A2678-40
Lamp, 18W, fluorescent	48A0376
Lamp, 48W, 6.6A, halogen	2990.40.827
Lamp cover	60A2653
Lamp cover seal	63A0989
Lamp retention clip	60A2656
Legend panel, retroreflective, size 1, mod 1	44A6084-1110
Legend panel, blank, size 1, mod 1	44A6084-1120
Legend panel, retroreflective, size 1, mod 2	44A6084-1210
Legend panel, blank, size 1, mod 2	44A6084-1220
Legend panel, retroreflective, size 2, mod 1	44A6084-2110
Legend panel, blank, size 2, mod 1	44A6084-2120
Legend panel, retroreflective, size 2, mod 2	44A6084-2210
Legend panel, blank, size 2, mod 2	44A6084-2220
Legend panel, retroreflective, size 3, mod 1	44A6084-3110
Legend panel, blank, size 3, mod 1	44A6084-3120
Legend panel, retroreflective, size 3, mod 2	44A6084-3210
Legend panel, blank, size 3, mod 2	44A6084-3220
Legend panel, retroreflective, size 4, mod 1	44A6084-4110
Legend panel, blank, size 4, mod 1	44A6084-4120
Mirror, size 1, end-end	63A0988-11
Mirror, size 1, end-intermediate	63A0988-12
Mirror, size 1, intermediate-intermediate	63A0988-13
Mirror, size 2, end-end	63A0988-21
Mirror, size 2, end-intermediate	63A0988-22
Mirror, size 2, intermediate-intermediate	63A0988-23
Mirror, size 3, end-end	63A0988-31
Mirror, size 3, end-intermediate	63A0988-32
Mirror, size 3, intermediate-intermediate	63A0988-33
Mirror, size 4, end-intermediate	63A0988-42
Rivnut tool	81A0123
Sign active ballast assembly, low VA signs (8 lamps)	44A6225
Sign active ballast assembly, low VA signs (4 lamps)	44A6225-4
Sign diffuser panel	63A0987
Sign prism diffuser	63A1004
Sign rectifier assembly, Size 1, 2, 3, and 5	44A6251-1
Sign rectifier assembly, Size 4	44A6251-2
Tether	94A0054
Transformer, 5.5-6.2A (Style 5 Signs)	35A0455
Transformer, 3-step, standard VA signs (all lamps)	35A0635
Transformer, 5-step, standard VA signs (1 and 2 lamps)	35A0644
Transformer, 5-step, standard VA signs (4, 6, or 8 lamps)	35A0642

Notes

¹ No capacitor needed for 3-step signs

² If you purchased fluorescent signs before February 2007, please check the part number of the sign ballasts. If they do not match the part numbers listed in this catalog sheet, download Service Bulletin ALN-130 from our Web site or contact the SAS Sales Department for more information.

The information contained in this document is subject to change without notice. Siemens reserves the right to make changes and improvements to its products and assumes no responsibility for making these modifications on any equipment previously sold.